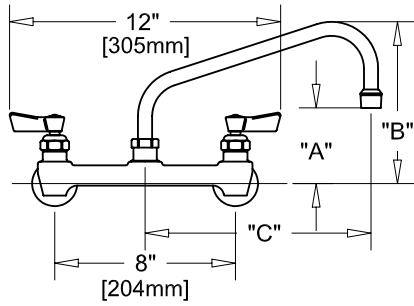
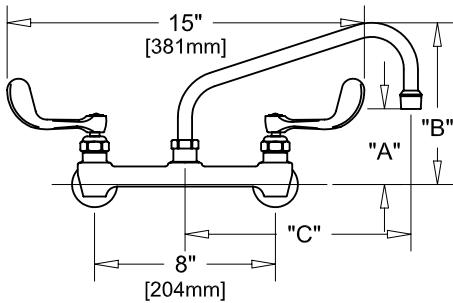


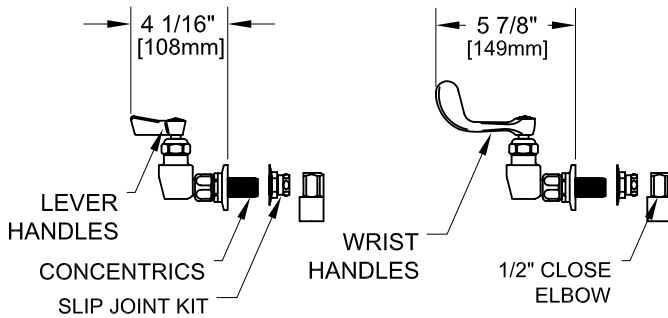
8" C/C BACKSPLASH FAUCET W/ LEVER HANDLES



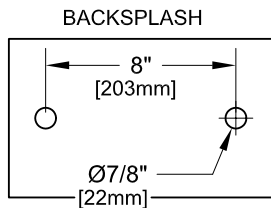
8" C/C BACKSPLASH FAUCET W/ WRIST HANDLES



8" C/C BACKSPLASH FAUCET



ROUGH-IN:



ANSI/A112.18.1-2005

PRODUCT NAME: STAINLESS STEEL
8" C/C BACKSPLASH FAUCET

MODEL:

- 61182 W/ 6" SWING SPOUT W/ LEVER HANDLES
- 61050 W/ 8" SWING SPOUT W/ LEVER HANDLES
- 60917 W/ 10" SWING SPOUT W/ LEVER HANDLES
- 60771 W/ 12" SWING SPOUT W/ LEVER HANDLES
- 60658 W/ 14" SWING SPOUT W/ LEVER HANDLES
- 60526 W/ 16" SWING SPOUT W/ LEVER HANDLES
- 61190 W/ 6" SWING SPOUT W/ WRIST HANDLES
- 61069 W/ 8" SWING SPOUT W/ WRIST HANDLES
- 60925 W/ 10" SWING SPOUT W/ WRIST HANDLES
- 60798 W/ 12" SWING SPOUT W/ WRIST HANDLES
- 60666 W/ 14" SWING SPOUT W/ WRIST HANDLES
- 60534 W/ 16" SWING SPOUT W/ WRIST HANDLES

FEATURES

CONTROL VALVE

- * 8" C/C BACKSPLASH MOUNT
- * CONCENTRICS
- * STAINLESS STEEL CONSTRUCTION
- * SWIVELLING SEAT DISKS
- * HOT SIDE STEM - RIGHT HAND
- * COLD SIDE STEM - LEFT HAND
- * LEVER HANDLES OR WRIST HANDLES
- * 1/2" CLOSE ELBOWS
- * EZ INSTALL ADAPTERS - T&S, CHI, KROWNE
- * SWING SPOUT

SYSTEM LIMITS

- * TEMP: 40°F MIN. TO 140°F MAX.

SHIPPING WEIGHT

- * 5.0 LBS

* NSF 61-9 APPROVED & LISTED
www.truesdail.com

MODELS	DIM "A"	DIM "B"	DIM "C"
61182 61190	2-1/4" [57mm]	5-7/8" [149mm]	6" [152mm]
61050 61069	2-1/2" [64mm]	6-3/8" [162mm]	8" [204mm]
60917 60925	3-1/8" [79mm]	6-7/8" [175mm]	10" [254mm]
60771 60798	3-3/4" [95mm]	7-3/8" [187mm]	12" [305mm]
60658 60666	4-3/8" [111mm]	8-1/4" [210mm]	14" [356mm]
60526 60534	5" [127mm]	8-7/8" [225mm]	16" [406mm]

FISHER

FISHER MANUFACTURING COMPANY

TOLL FREE: 800-421-6162 - FAX: 800-832-8238

information@fisher-mfg.com - www.fisher-mfg.com