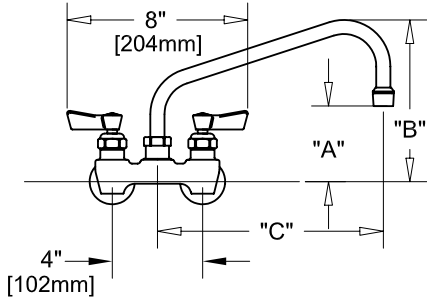
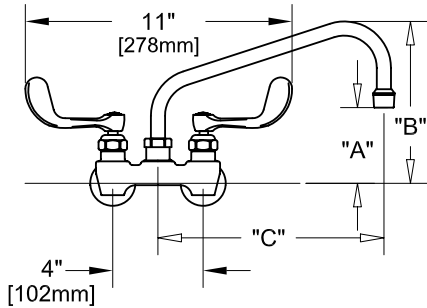


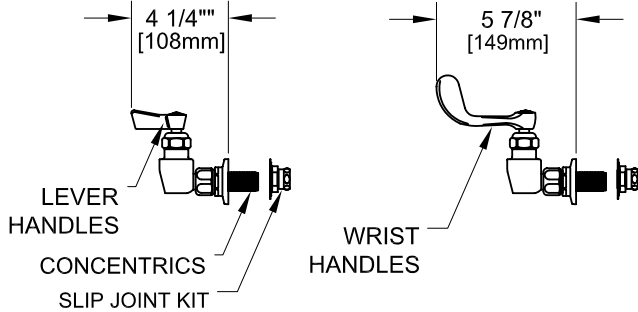
4" C/C BACKSPASH FAUCET W/ LEVER HANDLES



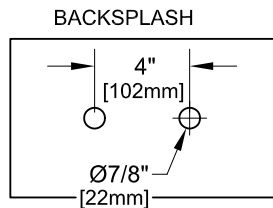
4" C/C BACKSPASH FAUCET W/ WRIST HANDLES



4" C/C BACKSPASH FAUCET



ROUGH-IN:



PRODUCT NAME: STAINLESS STEEL
4" C/C BACKSPASH FAUCET

MODEL:

- 62448 W/ 6" SWING SPOUT W/ LEVER HANDLES
- 62316 W/ 8" SWING SPOUT W/ LEVER HANDLES
- 62189 W/ 10" SWING SPOUT W/ LEVER HANDLES
- 62049 W/ 12" SWING SPOUT W/ LEVER HANDLES
- 61913 W/ 14" SWING SPOUT W/ LEVER HANDLES
- 61794 W/ 16" SWING SPOUT W/ LEVER HANDLES
- 62456 W/ 6" SWING SPOUT W/ WRIST HANDLES
- 62324 W/ 8" SWING SPOUT W/ WRIST HANDLES
- 62197 W/ 10" SWING SPOUT W/ WRIST HANDLES
- 62057 W/ 12" SWING SPOUT W/ WRIST HANDLES
- 61921 W/ 14" SWING SPOUT W/ WRIST HANDLES
- 61808 W/ 16" SWING SPOUT W/ WRIST HANDLES

FEATURES

CONTROL VALVE

- * 4" C/C BACKSPASH
- * CONCENTRICS
- * STAINLESS STEEL CONSTRUCTION
- * SWIVELLING SEAT DISKS
- * HOT SIDE STEM - RIGHT HAND
- * COLD SIDE STEM - LEFT HAND
- * LEVER HANDLES OR WRIST HANDLES
- * SWING SPOUT

SYSTEM LIMITS

- * TEMP: 40°F MIN. TO 140°F MAX.

SHIPPING WEIGHT

- * 5.0 LBS

* NSF 61-9 APPROVED & LISTED
www.truesdail.com

MODELS	DIM "A"	DIM "B"	DIM "C"
62448 62456	2-1/4" [57mm]	5-7/8" [149mm]	6" [152mm]
62316 62324	2-1/2" [64mm]	6-3/8" [162mm]	8" [204mm]
62198 62197	3-1/8" [79mm]	6-7/8" [175mm]	10" [254mm]
62049 62057	3-3/4" [95mm]	7-3/8" [187mm]	12" [305mm]
61913 61921	4-3/8" [111mm]	8-1/4" [210mm]	14" [356mm]
61794 61808	5" [127mm]	8-7/8" [225mm]	16" [406mm]

FISHER

FISHER MANUFACTURING COMPANY

TOLL FREE: 800-421-6162 - FAX: 800-832-8238

information@fisher-mfg.com - www.fisher-mfg.com

ANSI/A112.18.1-2005