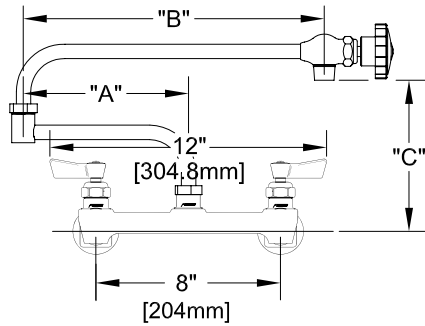
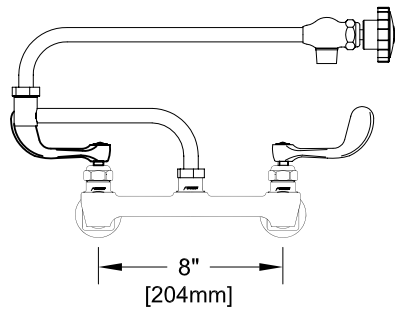


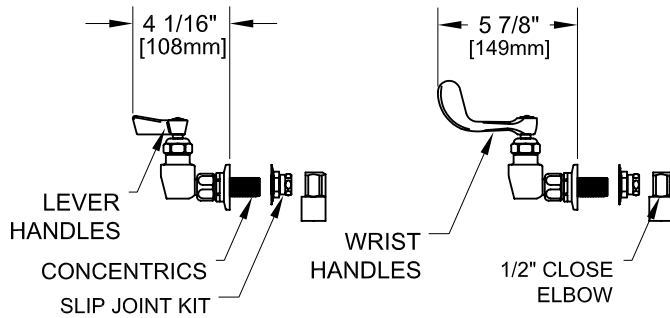
8" C/C BACKSPLASH FAUCET W/ LEVER HANDLES



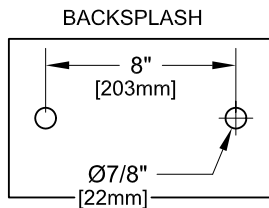
8" C/C BACKSPLASH FAUCET W/ WRIST HANDLES



8" C/C BACKSPLASH FAUCET



ROUGH-IN:



ANSI/A112.18.1-2005

PRODUCT NAME:

STAINLESS STEEL 8" BACKSPLASH FAUCET WITH 12" CONTROL SWING & DJ SPOUT

MODEL:

- 65544 W/ 12" CONTROL SWING SPOUT, 7" DJ W/ LEVER HANDLES
- 65609 W/ 12" CONTROL SWING SPOUT, 12" DJ W/ LEVER HANDLES
- 65579 W/ 12" CONTROL SWING SPOUT, 7" DJ W/ WRIST HANDLES
- 65633 W/ 12" CONTROL SWING SPOUT, 12" DJ W/ WRIST HANDLES

FEATURES

CONTROL VALVE

- \* 8" C/C BACKSPLASH MOUNT
- \* CONCENTRICS
- \* STAINLESS STEEL CONSTRUCTION
- \* SWIVELLING SEAT DISKS
- \* HOT SIDE STEM - RIGHT HAND
- \* COLD SIDE STEM - LEFT HAND
- \* LEVER HANDLES OR WRIST HANDLES
- \* 1/2" CLOSE ELBOWS
- \* EZ INSTALL ADAPTERS - T&S, CHI, KROWNE
- \* CONTROL SWING SPOUT

SYSTEM LIMITS

- \* TEMP: 40°F MIN. TO 140°F MAX.
- \* 5 GPM @ 60 PSI

SHIPPING WEIGHT

- \* 6.0 LBS

\* NSF 61-9 APPROVED & LISTED

[www.truedail.com](http://www.truedail.com)

MODELS	DIM "A"	DIM "B"	DIM "C"
65544 65579	7" [177.8mm]	12 1/2" [317.5mm]	7 1/2" [190.5mm]
65609 65633	12" [308.4mm]	12 1/2" [317.5mm]	7 1/2" [190.5mm]

**FISHER**

FISHER MANUFACTURING COMPANY

TOLL FREE: 800-421-6162 - FAX: 800-832-8238

information@fisher-mfg.com - www.fisher-mfg.com